

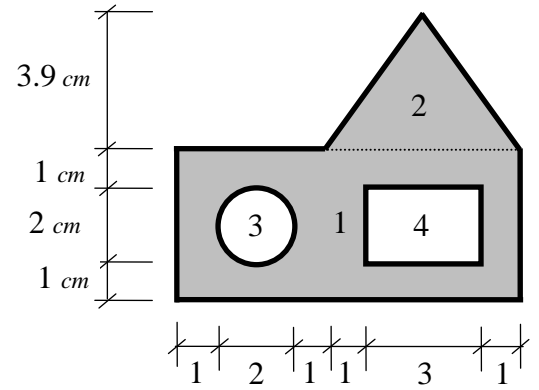
الكود:

الاسم:

**Question (1): (10 Marks)**

For the shown cross-section, determine the following:

- (a) The location of the centroid.
- (b) The moments of inertia about the centroidal axes.
- (c) The direction of the principal axes.
- (d) The principal moments of inertia.



**Solution:**