

رقم الكود:

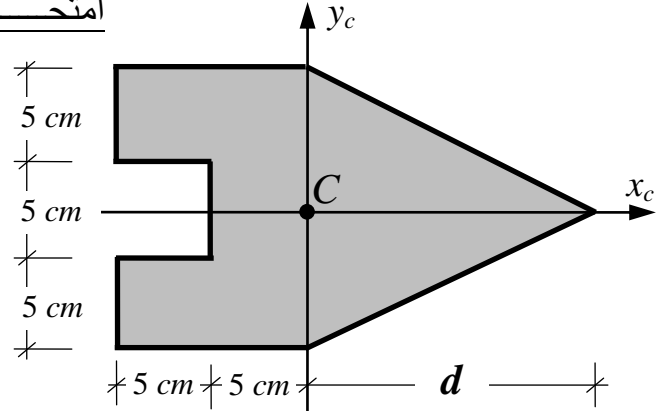
الاسم:

امتحان منتصف الترم

- The Exam consists of 2 questions in 2 pages.

**Question (1): (10 Marks)**

For the shown area where the centroid is given as shown, determine the distance  $d$ .



**Solution of Question (1)**

**Question (2): (10 Marks)**

A column of variable cross-section is subjected to axial loads as shown.

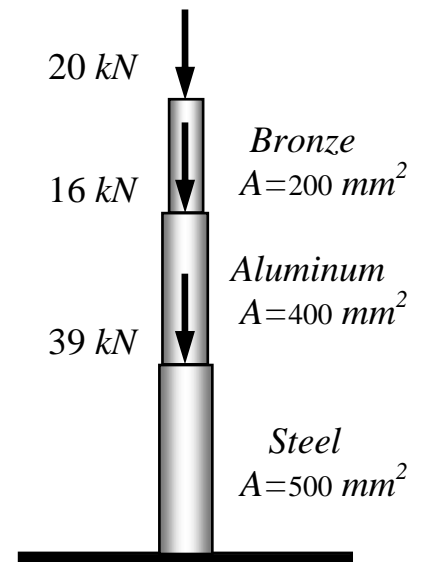
Check if the column is safe or not.

**Given Data:**

Allowable stress for bronze =  $100 \text{ MPa}$

Allowable stress for aluminum =  $90 \text{ MPa}$

Allowable stress for steel =  $140 \text{ MPa}$



---

**Solution of Question (2)**

*With my best wishes*

***Dr. M. Abdel-Kader***